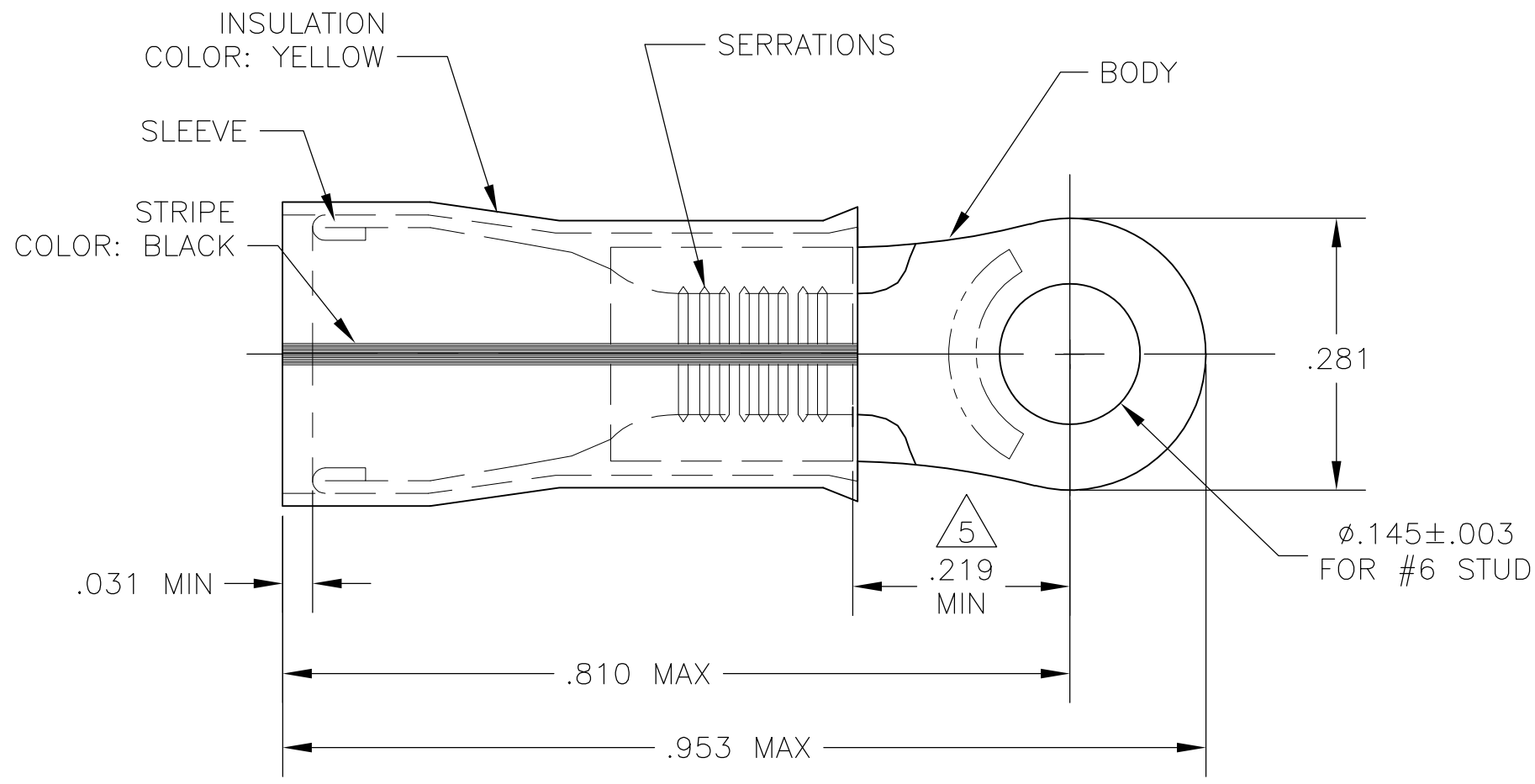


THIS DRAWING IS UNPUBLISHED. RELEASED FOR PUBLICATION  
 © COPYRIGHT - By - ALL RIGHTS RESERVED.

LOC	DIST	REVISIONS					
G	02	P	LTR	DESCRIPTION	DATE	DWN	APVD
		F		REVISED PER ECO-14-015277	03MAR2015	NK	DR

<b>AMP</b> WIRE RANGE	Listed FILE E13288	LR7189 Certified
16-14 AWG SOLID OR STRANDED	16-14 AWG SOLID OR STRANDED	16-14 AWG SOLID OR STRANDED



- 1 WIRE INSUL DIA .150-.230
- 2 TONGUE MATERIAL THK .048±.002
- 3 MATERIAL: BODY - CU PER ASTM B152, SLEEVE - CU PER ASTM B152, INSULATION - NYLON (MIL-M-20693) TYPE 1.
- 4 FINISH: BODY & SLEEVE: TIN PER ASTM B-545, INSULATION - COLOR: YELLOW.
- 5 APPLIES FROM EDGE OF METAL WIRE BARREL TO THE CENTER OF STUD HOLE.

50	LOOSE PIECE, BOX	8-320631-2
2000	ON TAPE	2-320631-1
500	LOOSE PIECE	320631
QTY	PACKAGE TYPE	PART NO

**AMP INCORPORATED**  
**CUSTOMER SERVICE SYSTEMS**

FOR ADDITIONAL PRODUCT INFORMATION OR COPIES OF DRAWINGS AND TECHNICAL DOCUMENTS  
 PRODUCT INFORMATION CENTER  
 1-800-522-6752

FOR APPLICATION TOOLING INFORMATION  
 TOOLING ASSISTANCE CENTER  
 1-800-722-1111

FOR ORDER ENTRY  
 1-800-526-5142

MAX RECOMMENDED OPERATING TEMPERATURE:  
 105°C [221°F]

VOLTAGE RATING:  
 300 V MAX

CIRCULAR MIL AREA:  
 1.04-2.62mm² [2,050-5,180]  
 SOLID OR STRANDED

THIS DRAWING IS A CONTROLLED DOCUMENT.

DIMENSIONS: INCHES

TOLERANCES UNLESS OTHERWISE SPECIFIED:

0 PLC	± -
1 PLC	± -
2 PLC	± -
3 PLC	± .008
4 PLC	± -
ANGLES	± 5°
FINISH	

MATERIAL

DWN jr\_ruth 10JUN09  
 CHK TOM MICHIELUTTI 10JUN09  
 APVD TOM MICHIELUTTI 10JUN09  
 PRODUCT SPEC  
 UL 486A  
 APPLICATION SPEC  
 WEIGHT -

**STE** TE Connectivity

NAME: TERMINAL, P.I.D.G., RING TONGUE, WIRE SIZE: 16-14 HD

SIZE	CAGE CODE	DRAWING NO	RESTRICTED TO
A3	00779	C-320631	-

CUSTOMER DRAWING SCALE 6:1 SHEET 1 OF 1 REV F